



For Customer Use :

Enter below the Serial No. which is located on the body.
Retain this information for future reference.

Model No : _____

Serial No : _____

MIS-CC8302

These instructions are for suffix **U, E** models of the video cameras with Y/C output

IMPORTANT SAFEGUARDS

1. Read all of these instructions.
2. Save these instructions for later use.
3. All warnings on the product and in the operating instructions should be adhered to.
4. Unplug this appliance system from the wall outlet before cleaning. Do not use liquid cleaners or aerosol cleaners. Use a damp cloth for cleaning.
5. Do not use attachments not recommended by the appliance manufacturer as they may cause hazards.
6. Do not use this appliance near water-for example, near a bathtub, washbowl, kitchen sink, or laundry tub, in a wet basement, or near a swimming pool, etc.
7. Do not place this appliance on an unstable cart, stand, or table. The appliance may fall, causing serious injury to a child or adult, and serious damage to the appliance may fall, causing serious injury to a child or adult, and serious damage to the appliance. Use only with a cart or stand recommended by the manufacturer, or sold with the appliance. Wall or she If mounting should follow the manufacturer's instructions, and should use a mounting kit approved by the manufacturer. An appliance and cart combination should be moved with care. Quick stops, excessive force, and uneven surfaces may cause the appliance and cart combination to overturn.
8. Slots and openings in the cabinet and the back or bottom are provided for ventilation, and to insure reliable operation of the appliance and to protect it from overheating, these openings must not be blocked or covered. The openings should never be blocked by placing the appliance on a bed, sofa, rug, or other similar surface. This appliance should never be placed near or over a radiator or heat register. This appliance should not be placed in a built-in installation such as a bookcase unless proper ventilation is provided.
9. This appliance should be operated only from the type of power source indicated on the marking label. If you are not sure of the type of power supplied to your home, consult your dealer or local power company. For appliance designed to operate from battery power, refer to the operating instructions.
10. This appliance system is equipped with a 3-wire grounding type plug (a plug having a third (grounding) pin). This plug will only fit into a grounding-type power outlet. This is a safety feature. If you are unable to insert the plug into the outlet, contact your electrician to replace your obsolete outlet. Do not defeat the safety purpose of the grounding plug.
11. For added protection for this product during a lightning storm, or when it is left unattended and unused for long periods of time, unplug it from the wall outlet and disconnect the antenna or cable system. This will prevent damage to the product due to lightning and power-line surges.
12. Do not allow anything to rest on the power cord. Do not locate this appliance where the cord will be abused by persons walking on it.
13. Follow all warnings and instructions marked on the appliance.
14. Do not overload wall outlets and extension cords as this can result in fire or electric shock.
15. Never push objects of any kind into his appliance through cabinet slots as they may touch dangerous voltage points or short out parts that could result in a fire or electric shock. Never spill liquid of any kind on the appliance.
16. Do not attempt to service this appliance yourself as opening or removing covers may expose you to dangerous voltage or other hazards. Refer all servicing to qualified service personnel.
17. Unplug his appliance from the wall outlet and refer servicing to qualified service personnel under following conditions:
 - a. When the power cord or plug is damaged or frayed.
 - b. If liquid has been spilled into the appliance.
 - c. If the appliance has been exposed to rain or water.
 - d. If the appliance does not operate normally by following the operating instructions. Adjust only those controls that are covered by the operating instructions as improper adjustment of other controls may result in damage and will often require extensive work by a qualified technician to restore the appliance to normal operation.
 - e. If the appliance has been dropped or the cabinet has been damaged.
 - f. When the appliance exhibits a distinct change in performance-this indicates a need for service.
18. When replacement parts are required, be sure the service technician has used replacement parts specified by the manufacturer that have the same characteristics as the original part. Unauthorized substitutions may result in fire, electric shock, or other hazards.
19. Upon completion of any service or repairs to this appliance, ask the service technician to perform routine safety checks to determine that the appliance is in safe operating condition.

PORTABLE CART WARNING
(Symbol provided by RETAC)



S3126A

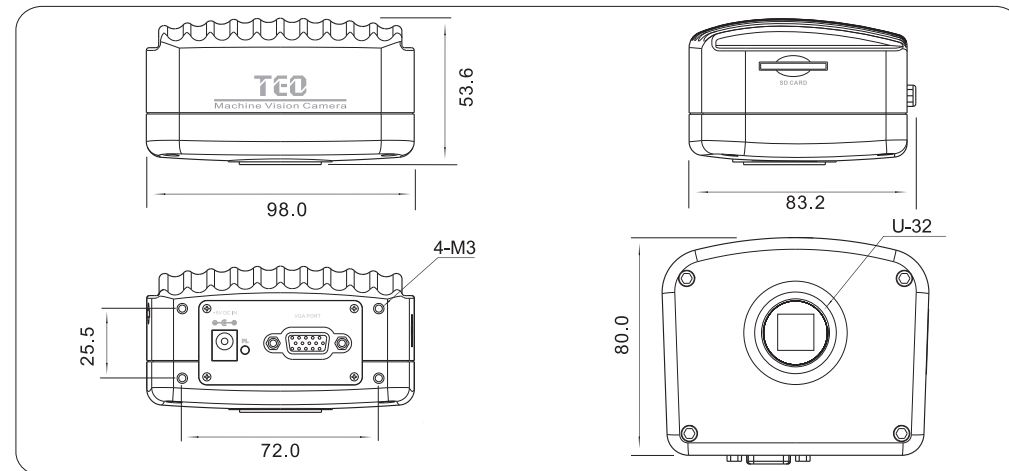
感谢您使用TEO品牌摄像机,在使用前仔细阅读本说明书,并填写、保存好保修单。

提示: 1.检查供电电源的极性和电压值,以防接错电源烧毁摄像机。

2.推荐使用TEO高精度医用开关电源TD-P1202D,或合格的线性稳压电源,而不使用开关稳压电源。因为开关稳压电源有高频谐波,随着电源使用时间的延长,期间老化,会在图像画面上出现条状或网状干扰。

Dimensions 尺寸

Unit:mm 毫米



SPECIFICATIONS 技术指标 :

Model 型号	MIS-CC8302
Sensor 图像传感器	Diagonal 8.19mm, 1/2-inch CMOS 6.55mm x 4.92mm
Effective pixels 有效像素	2048(H) x 1536(V)
Pixel size 像素尺寸 (um)	3.2(H) x 3.2(V)
Color filter array 色滤镜阵列	RGB Bayer
Frame rate 帧率	5frames per-second at full resolution
Scanning mode 扫描方式	Progressive
Shutter 电子快门	Electronic rolling shutter(ERS), global reset release(GRR)
Dynamic range 动态范围	>61dB
S/N ratio 信噪比	45dB (Maximum)
Signal process 信号处理	Digital Clarity 10bit on-chip
Sensitivity 灵敏度	1.0V/lux-sec @550nm
Exposure time 曝光时间	10us~30s
Image output 图像输出	VGA, 640x480
Image storage 图像存储	On 4G SD card
IR-remote control 红外遥控	Available
Functions setting 功能设置	Resolution, AGC, RGB gain, Contrast, Gamma, white balance, blemish reducing, light equipoise
Lens mount 镜头安装方式	C mount
Power supply 电源供应	Supplied by TEO professional TFT monitor Or +5.0VDC +10%(recommended),
Power Consumption 功耗	Approx 5.0W
Operating temperature 工作温度	-10°C to +50°C; 0°C to +40°C (recommended 推荐)
Dimension 尺寸	83.2(L) x 98.0(W) x 53.6(H)mm
Weight 重量	approx 400g

Design and specifications subject to change without notice.
产品设计和技术指标若有变动恕不另行通知。

For USA and CANADA



CAUTION: TO REDUCE THE RISK OF ELECTRIC SHOCK, DO NOT REMOVE COVER (OR BACK). NO USER SERVICEABLE PARTS INSIDE. REFER SERVICING TO QUALIFIED SERVICE PERSONNEL.



The lightning flash with arrowhead symbol, within an equi-lateral triangle, is intended to alert the user to the presence of uninsulated "dangerous voltage" within the product's enclosure that may be of sufficient magnitude to constitute a risk of electric shock to persons.



The exclamation point within an equilateral triangle is intended to alert the user to the presence of important operating and maintenance (servicing) instructions in the literature accompanying the appliance.

3百万像素带存储VGA工业及医用CMOS摄像机 使用说明书

感谢您惠购 **TEO** 视频摄像机，为了使您的新摄像机获得最佳的使用效果，使用之前请仔细阅读本说明书，并妥善保存书以备将来查阅。

警告：为了防止火灾或免遭电击，请不要将本机暴露在雨中或放置在潮湿的地方。

如果拍摄物体为单一色彩（非白色），自动白色平衡电路通常将会色彩变为白色。如果摄像机得不到色彩变化正确的预测，以前的白平衡设定值将会继续保持，直到拍摄物体的色彩出现较大的变化。在有很强的电磁波或强磁场的地方，例如，在收音机、电视发射机、变压器或马达附近，画面上可能会出现许多噪波，而且可能色彩不正。未使用时，请务必关闭系统以节省能量。

产品特点：

高清晰，高信噪比，图像更细腻；*Digital Clarity* 清澈化处理技术，图像更通透；红外遥控菜单式功能设置，方便设定各种功能； ψ 组十字线，图像冻结存储在SD卡上；10bit深度色彩处理，图像色彩更自然；VGA图像接口，无需计算机即可实现查看；TEO专业TFT专业显示器VGA口可直接供电。

功能说明：红外遥控菜单式功能

AWB (自动跟踪白平衡)

自动白平衡功能是摄像头根据当前视频数据的RGB值及曝光值，将RGB及曝光值调整至合适的状态，摄像机将会

按照环境条件自动实时调整色温。

AE (自动电子快门)

此AE功能设置是摄像机从暗背景向明亮背景处移动时，摄像机的快门应能自动调节并适应背景光的变化

曝光

自动曝光功能是摄像头根据当前的环境进行自动调整至合适的曝光值。

Red Gain (R增益)

此R增益功能设置是用于调整进入摄像机的红色的浓度

Green Gain (G增益)

此G增益功能设置是用于调整进入摄像机的绿色的浓度。

Blue Gain (B增益)

此B增益功能设置是用于调整进入摄像机的蓝色的浓度。

+ (十字线)

此+功能设置是用于摄像机进入的十字线调整。

保存

此保存功能设置是用于退出设置之前可以选择保存或放弃设置。

冻结

此冻结功能设置是用于冻结摄像机图像

显示隐藏

此显示隐藏功能设置是用于摄像机显示或者隐藏十字线调整。

位置

此位置功能设置是用于调整摄像机十字线的位置调整。

颜色

此颜色设置是用于调整摄像机十字线的颜色调整。

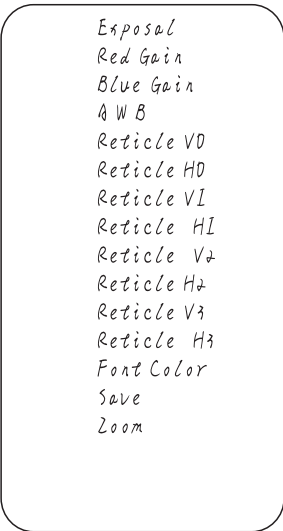
开关

此开关设置是用于摄像机图像显示的开或关。

拍图

此拍图设置是用于摄像机图像的抓拍并保存到SD卡上。

▲：上 ▼：下 确认：(设置)



主菜单显示屏

◆ AWB (自动跟踪白平衡)

此AWB自动跟踪白平衡功能状态，当镜头大面积对着红布（红布的颜色会变成蓝灰色）或其它颜色时会变成灰白或蓝灰色。工作中如果想要标准白时，把摄像机镜头对着白纸或白墙等大面积的白色按下

AWB键可把摄像机调到标准白。

◆ AE(自动电子快门)

此AE自动电子快门功能是用于摄像机镜头的快门速度将根据被摄物体的亮度变化。

◆ 曝光 (0000~4093)

自动曝光功能是摄像头根据当前的环境进行自动调整至合适的曝光值此曝光功能可手动调节所要求的合适

曝光值按曝光键确认选项,再按▲▼键来增加或减少曝光值。

◆ Red Gain (R增益00~63)

此Red Gain 红色的增益功能可手动调节所需要的合适的红色增益值.当按下R键确认选项后,再按▲▼键来增加或减少红色增益值。

◆ Green Gain (G增益00~63)

此Green Gain 绿色的增益功能可手动调节所需要的合适的绿色增益值，当按下G键确认选项后,再按▲▼键来增加或减少绿色增益值。

◆ Blue Gain (B增益00~63)

此Blue Gain 蓝色的增益功能可手动调节所需要的合适的蓝色增益值，当按下B键确认选项后,再按▲▼键来增加或减少蓝色增益值。

◆ + (十字线)：当按下+键确认选项后,此功能显示有四组十字线组成。

L0: 垂直方向显示(0000~1024)

L4: 垂直方向显示(0000~1024)

L1: 水平方向显示(0000~0768)

L5: 水平方向显示(0000~0768)

L2: 垂直方向显示(0000~1024)

L6: 垂直方向显示(0000~1024)

L3: 水平方向显示(0000~0768)

L7: 水平方向显示(0000~0768)

使用位置键来选择任一条十字线每按一次位置键就会转换一条十字线,显示选择的那条十字线就变为虚线确

认选项.再按▲▼键来移动十字线水平或垂直方向的位置增加值或减少值.还可再按颜色键来选择被选中的

虚线显示的十字线颜色,您可以有8种颜色供选择,黑色,蓝色,绿色,青色,红色,粉红色,黄色,白色,每按一次

颜色键~~颜色~~转换一种颜色。

此显示隐藏功能是用于显示或者隐藏十字线显示.使用显示隐藏键来显示或隐藏任一条十字线,如四组十字线

没有全部显示,可按显示隐藏来显示被选中的隐藏的十字线。

◆ 保存

使用保存键确认您刚刚所调试的菜单项显示的效果保存到摄像机里。

◆ 冻结

使用冻结键来冻结锁定当前的画面

◆ 开关

使用开关键来开或关掉当前的画面

◆ 拍图

使用拍图键来抓拍当前的画面并自动保存到SD卡里面.注：使用红外遥控器时对着摄像机的红外发射灯，如果距离较远有可以无法进行遥控。



TEO STEMS INC.USA

www.teosystem.com



is a registered trademark owned by TEO SYSTEMS INC., USA



is a registered trademark in the USA, Canada the U.K., PR China and many other countries.