

**For Customer Use:**

Enter below the Serial No. which is located on the body.
Retain this information for future reference.

Model No: _____
Serial No: _____

TM-C5591E

工业测量摄像机

These instructions are for suffix **U, E** models of the video cameras with Y/C output

IMPORTANT SAFEGUARDS

1. Read all of these instructions.
2. Save these instructions for later use.
3. All warnings on the product and in the operating instructions should be adhered to.
4. Unplug this appliance system from the wall outlet before cleaning. Do not use liquid cleaners or aerosol cleaners. Use a damp cloth for cleaning.
5. Do not use attachments not recommended by the appliance manufacturer as they may cause hazards.
6. Do not use this appliance near water-for example, near a bathtub, washbowl, kitchen sink, or laundry tub, in a wet basement, or near a swimming pool, etc.
7. Do not place this appliance on an unstable cart, stand, or table. The appliance may fall, causing serious injury to a child or adult, and serious damage to the appliance may fall, causing serious injury to a child or adult, and serious damage to the appliance. Use only with a cart or stand recommended by the manufacturer, or sold with the appliance. Wall or shelf mounting should follow the manufacturer's instructions, and should use a mounting kit approved by the manufacturer. An appliance and cart combination should be moved with care. Quick stops, excessive force, and uneven surfaces may cause the appliance and cart combination to overturn.
8. Slots and openings in the cabinet and the back or bottom are provided for ventilation, and to insure reliable operation of the appliance and to protect it from overheating, these openings must not be blocked or covered. The openings should never be blocked by placing the appliance on a bed, sofa, rug, or other similar surface. This appliance should never be placed near or over a radiator or heat register. This appliance should not be placed in a built-in installation such as a bookcase unless proper ventilation is provided.
9. This appliance should be operated only from the type of power source indicated on the marking label. If you are not sure of the type of power supplied to your home, consult your dealer or local power company. For appliance designed to operate from battery power, refer to the operating instructions.
10. This appliance system is equipped with a 3-wire grounding type plug (a plug having a third (grounding) pin). This plug will only fit into a grounding-type power outlet. This is a safety feature. If you are unable to insert the plug into the outlet, contact your electrician to replace your obsolete outlet. Do not defeat the safety purpose of the grounding plug.
11. For added protection for this product during a lightning storm, or when it is left unattended and unused for long periods of time, unplug it from the wall outlet and disconnect the antenna or cable system. This will prevent damage to the product due to lightning and power-line surges.
12. Do not allow anything to rest on the power cord. Do not locate this appliance where the cord will be abused by persons walking on it.
13. Follow all warnings and instructions marked on the appliance.
14. Do not overload wall outlets and extension cords as this can result in fire or electric shock.
15. Never push objects of any kind into this appliance through cabinet slots as they may touch dangerous voltage points or short out parts that could result in a fire or electric shock. Never spill liquid of any kind on the appliance.
16. Do not attempt to service this appliance yourself as opening or removing covers may expose you to dangerous voltage or other hazards. Refer all servicing to qualified service personnel.
17. Unplug this appliance from the wall outlet and refer servicing to qualified service personnel under following conditions:
 - a. When the power cord or plug is damaged or frayed.
 - b. If liquid has been spilled into the appliance.
 - c. If the appliance has been exposed to rain or water.
 - d. If the appliance does not operate normally by following the operating instructions. Adjust only those controls that are covered by the operating instructions as improper adjustment of other controls may result in damage and will often require extensive work by a qualified technician to restore the appliance to normal operation.
 - e. If the appliance has been dropped or the cabinet has been damaged.
 - f. When the appliance exhibits a distinct change in performance - this indicates a need for service.
18. When replacement parts are required, be sure the service technician has used replacement parts specified by the manufacturer that have the same characteristics as the original part. Unauthorized substitutions may result in fire, electric shock, or other hazards.
19. Upon completion of any service or repairs to this appliance, ask the service technician to perform routine safety checks to determine that the appliance is in safe operating condition.

PORTABLE CART WARNING
(Symbol provided by RETAC)



S3126A

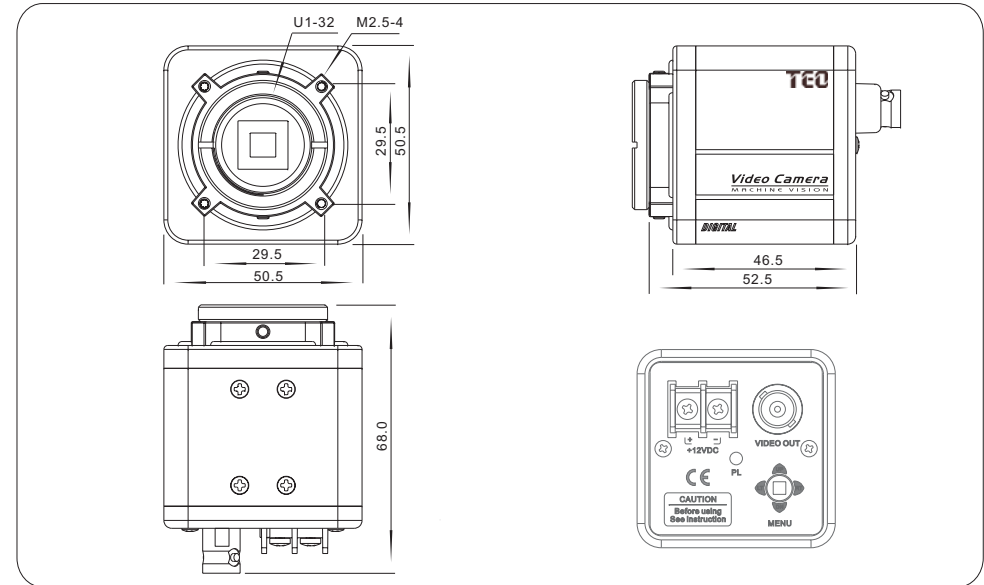
感谢您使用TEO品牌摄像机，在使用前仔细阅读本说明书，并填写、保存好保修单。

提示：1.检查供电电源的极性和电压值，以防接错电源烧毁摄像机。

2.由于一般的开关稳压电源有高频谐波，随着电源使用时间的延长会老化，会在图像画面上出现条状或网状干扰。推荐使用TEO高精度医用开关电源TD-P1202D，或合格的线性稳压电源。

Dimensions 尺寸

Unit:mm 毫米



SPECIFICATIONS 技术指标:

Model 型号	TM-C5591E
Signal system 电视制式	typeE: PAL standard; typeU: NTSC standard
Sensor 图像传感器	Diagonal 6.0mm 1/3-inch Medical HS CCD with built-in lens
Unit cell size 像元尺寸	6.5um(H)X6.25um(V)
Number of pixels 像素数	Approx 470K pixels
Scanning system 扫描制式	2:1 interlaced
Resolution 清晰度	700TVL
Video output 视频输出	composite video signal: 1.0Vp-p, 75 ohms
Video process 视频处理	TEO Bio-els image processing™ and TEO els ext-fx™
Sensitivity 最低照度	0.1Lux
S/N ratio 信噪比	54dB (AGC: OFF)
ATW 白平衡控制	OSD set: Pushlock/ manual/auto(1800°K~10500°K)
OSD菜单式参数设置	available
Sync mode 同步方式	internal lock
Lens drive 镜头驱动	DC
Lens mount 镜头安装方式	C/CS mount via C-a
Power consumption 功耗	Approx 1.5W ; +9.5V--+15V; recommended: +12VDC
Operating temperature 工作温度	-10°C to +50°C; 0°C to +40°C (recommended 推荐)
Dimension 尺寸	60.0 (L)×48.5 (W)×58.0 (H) mm
Weight 重量	approx 155g

Design and specifications subject to change without notice.
产品设计和技术指标若有变动恕不另行通知。

For USA and CANADA



CAUTION
RISK OF ELECTRIC SHOCK
DO NOT OPEN



The lightning flash with arrowhead symbol, within an equi-lateral triangle, is intended to alert the user to the presence of uninsulated "dangerous voltage" within the product's enclosure that may be of sufficient magnitude to constitute a risk of electric shock to persons.

The exclamation point within an equilateral triangle is intended to alert the user to the presence of important operating and maintenance (servicing) instructions in the literature accompanying the appliance.

CAUTION: TO REDUCE THE RISK OF ELECTRIC SHOCK,
DO NOT REMOVE COVER (OR BACK).
NO USER SERVICEABLE PARTS INSIDE.
REFER SERVICING TO QUALIFIED SERVICE PERSONNEL.

主菜单:

白平衡

如果图像色彩显示不够自然, 可使用白平衡设置功能来调整. 在ATW状态, 摄像机按照环境光色温, 自动跟踪白平衡, 色温调节范围: 2,300°K~ 11,000°K.

SAVE ALL

此SAVE ALL菜单按键是用于保存修改设置的参数和状态。

退出

此退出功能按键是用于退出OSD菜单, 退出前需先设置之前可以选择保存或放弃设置。

摄像机OSD功能键

此OSD菜单设置摇杆分为 ▲上 ▼下 ◀左 ▶右 ●确认(设置); 用于进入OSD菜单。



● 白平衡 (白平衡控制)

1. ATW (自动跟踪白平衡)

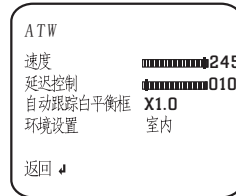
摄像机将按环境色温自动实时调整白平衡, 实现自然色彩, 色温调整范围2,300°K ~11,000°K

速度: 0~255 跟踪速度级别

延迟控制: 0~255 延迟调整级别

自动跟踪白平衡: 0.50/*1.00/*1.50/*2.00 四级倍率

环境设置: (室内/室外)



2. 单按: 手动按持, 读取当时照明色温值并调整白平衡, 但不可记忆。

3. 用户1: 在此模式可设置用户一白平衡模式

4. 用户2: 在此模式您可以设置第二种用户白平衡模式

5. 抑制色滚: 此模式用于防止荧光灯照明环境里, 画面色彩周期性滚动。

6. 手动: 在此模式可设置白平衡的色温数值: 0~25级。

7. 单按锁定, 此功能为PUSHLOCK, 手动锁定当前光照色温下的白平衡数值, 并记忆。

如果垂直接持OSD控制摇杆● (即确认键), 就自动跟踪白平衡, 并记忆白平衡值。

使用方法: 用上光源照射一张纯净白纸, 亮度适当(不可爆亮), 聚焦在白纸表面

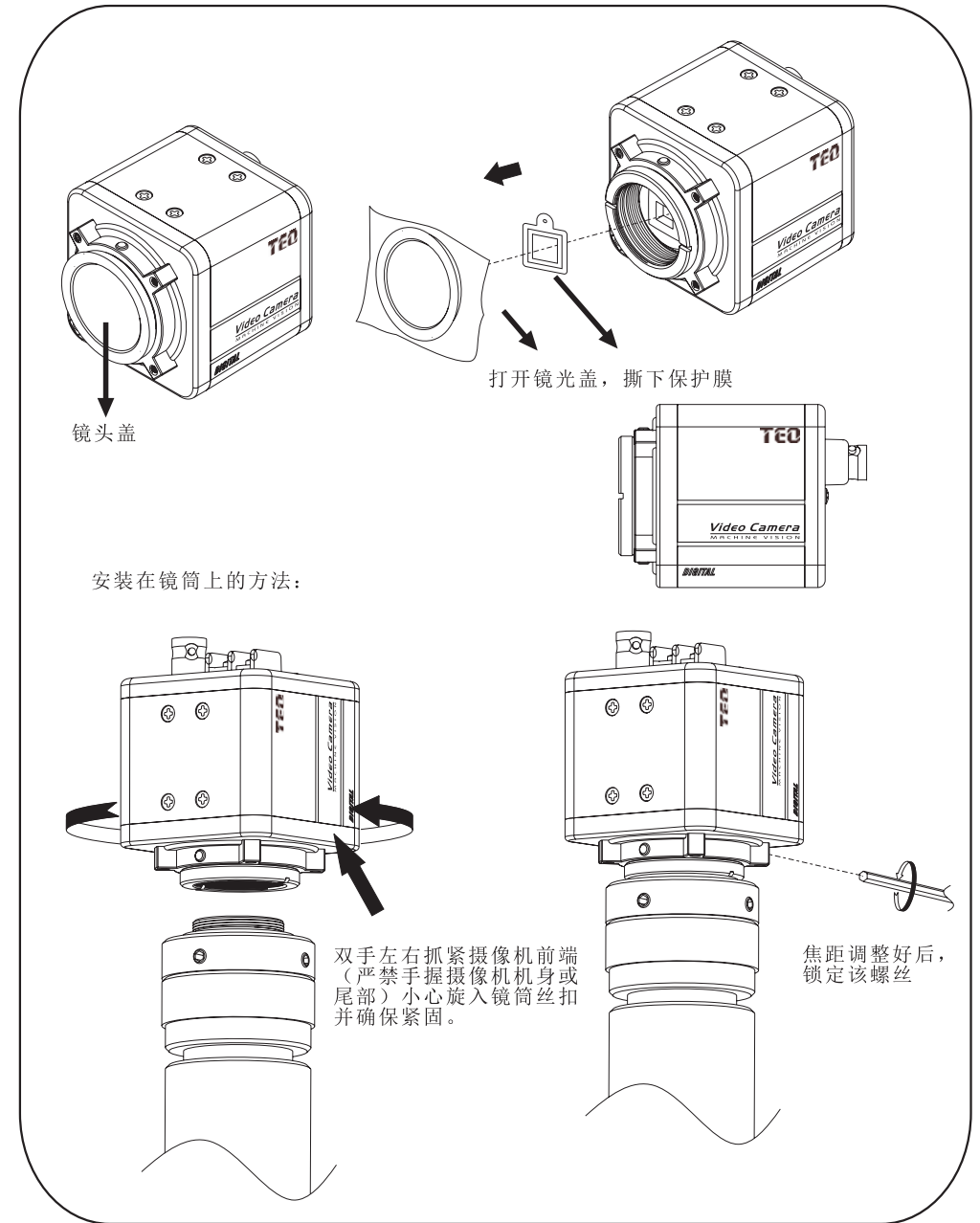
垂直接持OSD控制键●三秒钟, 则调整结束, 并记忆。

因为每个上光源的色温均有差异, 为保持色彩的一致性, 每次装机, 均必须设置。

● 退出: 可使用“▶”“◀”键来选择退出或保存后再退出

保存: SAVE ALL 为保存设置的参数, 放弃保存可直接退出, 而不先做保存。

摄像机安装说明图:



TEO is a registered trademark owned by TEO SYSTEMS INC., USA

TEO is a registered trademark in the USA, Canada the U.K., PR China and many other countries.